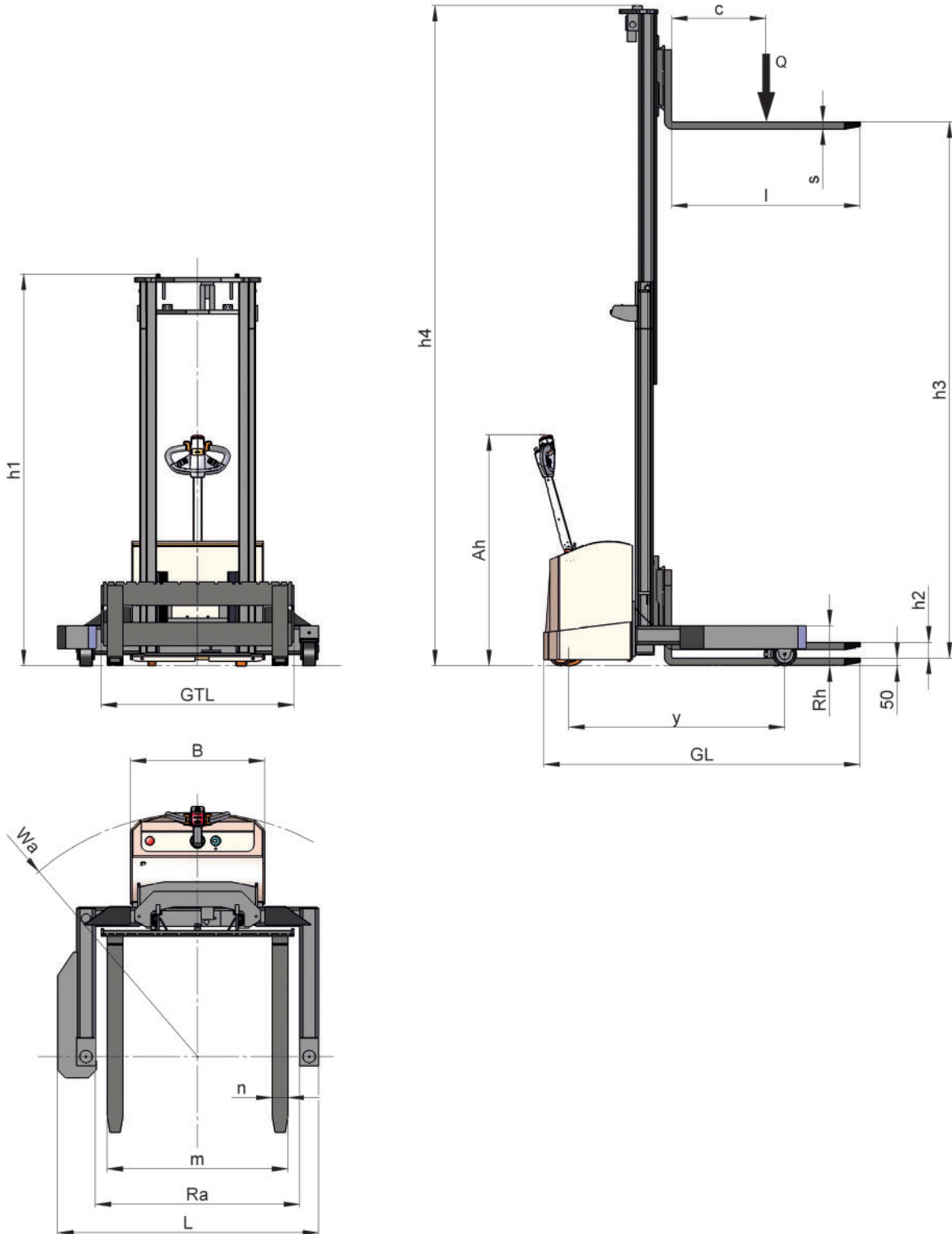


**STACKER FOR LONG LOADS
WITH STRADDLE ARMS AND
FOUR-WAY OPERATION**

EGPL
14/16



**Whatever your handling problem
Genkinger-HUBTEX have a solution**

Genkinger
HUBTEX

TECHNICAL SPECIFICATIONS

1.1 Series						
1.2 Type		Manufacturer's identification		EGPL 14		
				EGPL 16		
Characteristics	1.3 Capacity	G at standard lift height	kg	1400	1600	
	1.4 Load center	c = LSP distance	mm	600	600	
	1.6 Power supply	diesel, gas, electric		E	E	
	1.7 Type of steering	walkie, stand up, sit down rider		walkie	walkie	
	1.8 Tires	PU = Polyurethane		PU	PU	
	1.9 Wheels (x = powered)	number loadside/drivers side	pieces	2/2 (1x)	4/2 (1x)	
	2.1 Mast	h3 = lift height standard/max.	mm	1600-5500	1600-550	
	2.21 Fork cross section	s/n = thickness/width	mm	40/100	40/100	
	2.22 Fork length	l = NB from/to	mm	1150	1150	
Dimensions	2.23 Fork carriage length	GTL = from/to	mm	1000-1600	1000-1600	
	2.24 Adjustment range of fork	m = from/to	mm	336-1050/-1550	336-1050/-1550	
	2.25 Fork tilt	standard	degree	none	none	
	2.31 Overall dimensions	L = Truck length (at Ra = 1300mm)	mm	1660	1660	
	2.32	Ah = Height over chassis	mm	1500	1500	
	2.33	b = Head length	mm	753	753	
	2.35	B = Width of head	mm	855	855	
	2.36	Ground clearance (under mast)	mm	30	30	
	2.37	Rh = Height of load arms	mm	255	255	
	2.38	Ra = Inner width of load arms from/to	mm	1100-1700	1100-1700	
	2.39	GL = Length overall	mm	1903	1903	
	2.51 Turning radius	Wa = (at Ra = 1300 mm)	mm	1569	1569	
	2.52 Aisle width	AST = (at Ra = 1300 mm)	mm	2240	2240	
	Wght.	3.1 Total weight	incl. battery	approx. kg	1215	1215
		3.2 Floor load	incl. load (static)	N/cm	110	110
Performance	4.1 Stability	according to CE-regulations	yes/no	yes	yes	
	4.21 Speed	travel speed loaded / empty	km/h	5 / 6	5 / 6	
	4.22	lifting speed loaded / empty	m/s	0,12/0,18	0,12/0,17	
	4.23	lowering speed loaded / empty	m/s	until 0,20	until 0,20	
	4.31 Ramp capability	loaded / empty max.	%	4 / 6	4 / 6	
Wheels and Tires	5.11 Tyres	number loadside / battery side	pieces	2 / 2	2 / 2	
	5.12	dimensions loadside	mm	150 x 80	150 x 80	
	5.13	dimensions driverside / driven wheel	mm	230 x 70	230 x 70	
	5.14	dimensions driverside / support wheel	mm	150 x 50	150 x 50	
	5.2 Wheel base	y =	mm	1354	1354	
	5.3 Ground clearance		mm	80	80	
	5.41 Service brake			generator	generator	
	5.42 Parking brake			electro-mechanic	electro-mechanic	
Drive unit	6.11 Battery	voltage / capacity	V/Ah	24 / 240	24 / 240	
	6.12	minimum weight	kg	210	210	
	6.21 Electric motors	AC - drive motor (S2 = 60 min)	kW	0,6	0,6	
	6.22	lift motor	kW	3	3	
	6.23					
	6.31 Gear	type		MOS-FET	MOS-FET	
	6.32	gear steps forward/reverse		stepless	stepless	
	6.4 Transmission	gear type		spur wheel geared	spur wheel geared	
	6.5 Hydraulic pressure	for attachments	bar	180	180	

Technical modifications reserved! All technical data refers to specification at the time of printing!

Genkinger-HUBTEX GmbH

Postfach 1120
72521 Münsingen
Tel. +49-7381-186-0
Fax +49-7381-186-49
info@genkinger-hubtex.com
www.genkinger-hubtex.com

Genkinger

HUBTEX.

Technical modifications reserved! The pictures may show special equipment which is not included in the standard specification!